



PPE Inspection form

How to inspect your Beam Clamp.

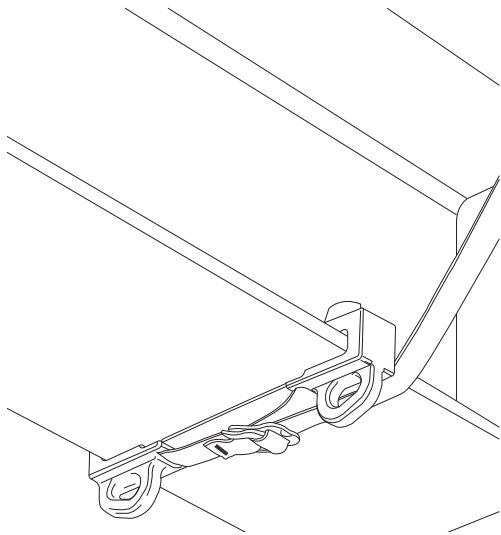
Owner:

Model:

Serial #:

Date of inspection:

Date of first use:



If there is any doubt or failure, the harness should not be used.



Visual check of the safety components:

Readable markings present?



Check body
(wear, burrs, corrosion, cracks, dents, bents, deformation)



Check anchor eye
(wear, burrs, corrosion, cracks, dents, bents, deformation)



Check webbing & buckle
(cuts, stitching, locking correctly, other damages)



Check bolts
(for damages on its thread, wear and does it screw in and out)



Check compatibility
(right size for beam)



Check overall condition



Operational check

Check bolt to be working properly
(maintain if needed)



Check closing of the strap.

In Service:

Yes

No

Comments: